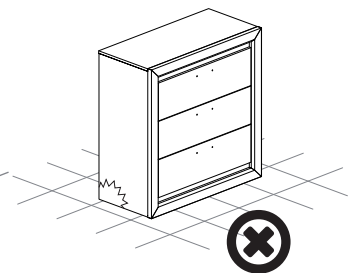
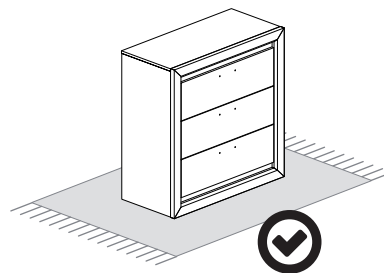
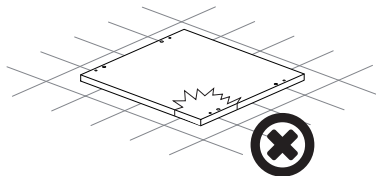
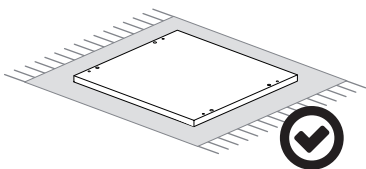
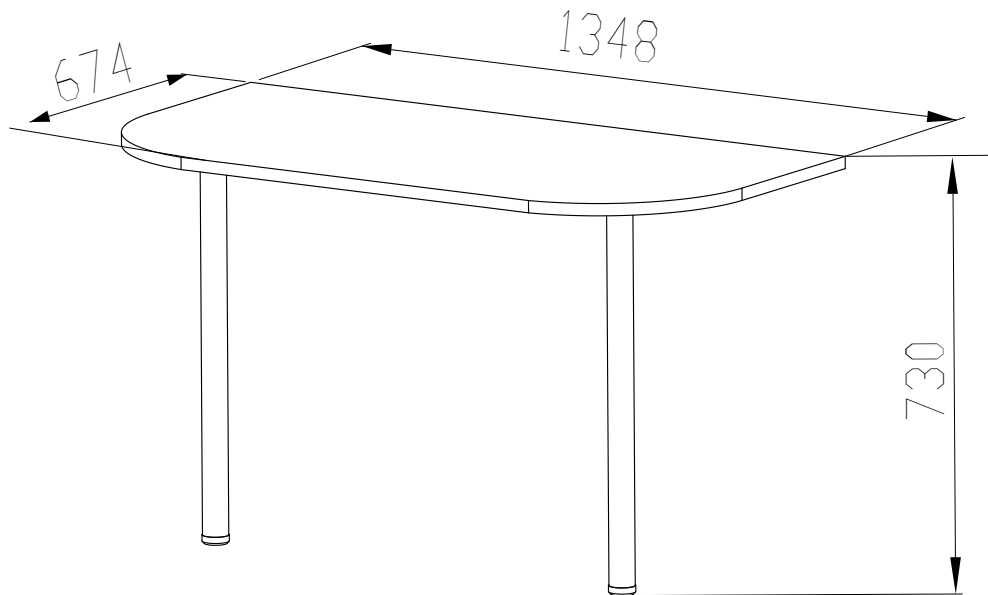
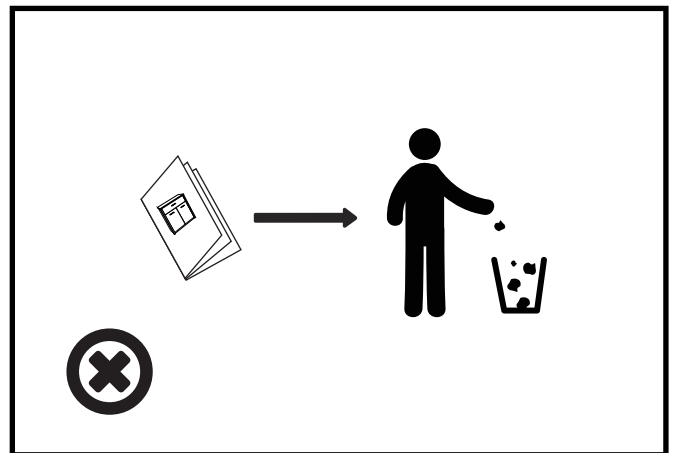
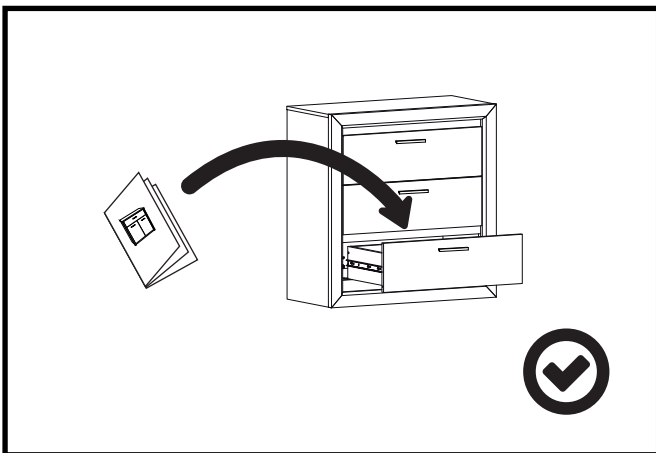
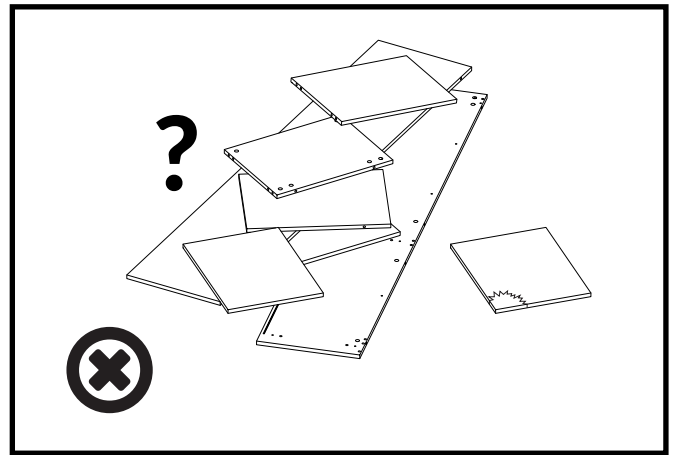
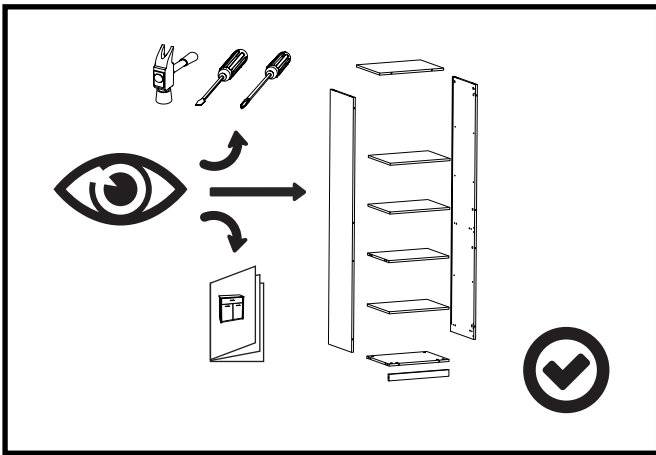
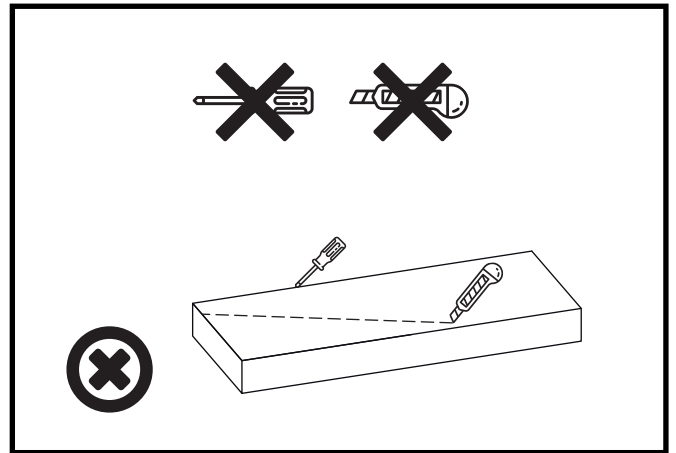
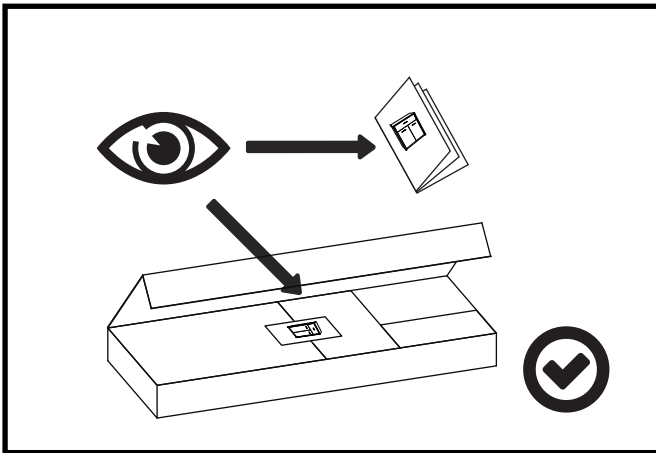
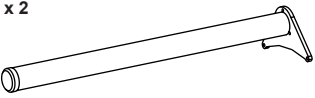
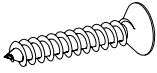
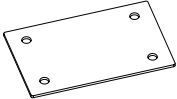
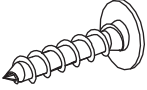


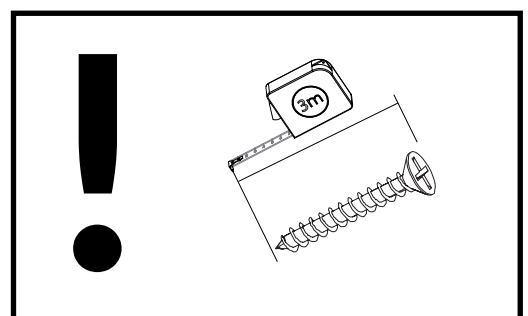
# OPTIMAL 17



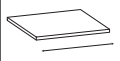

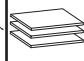


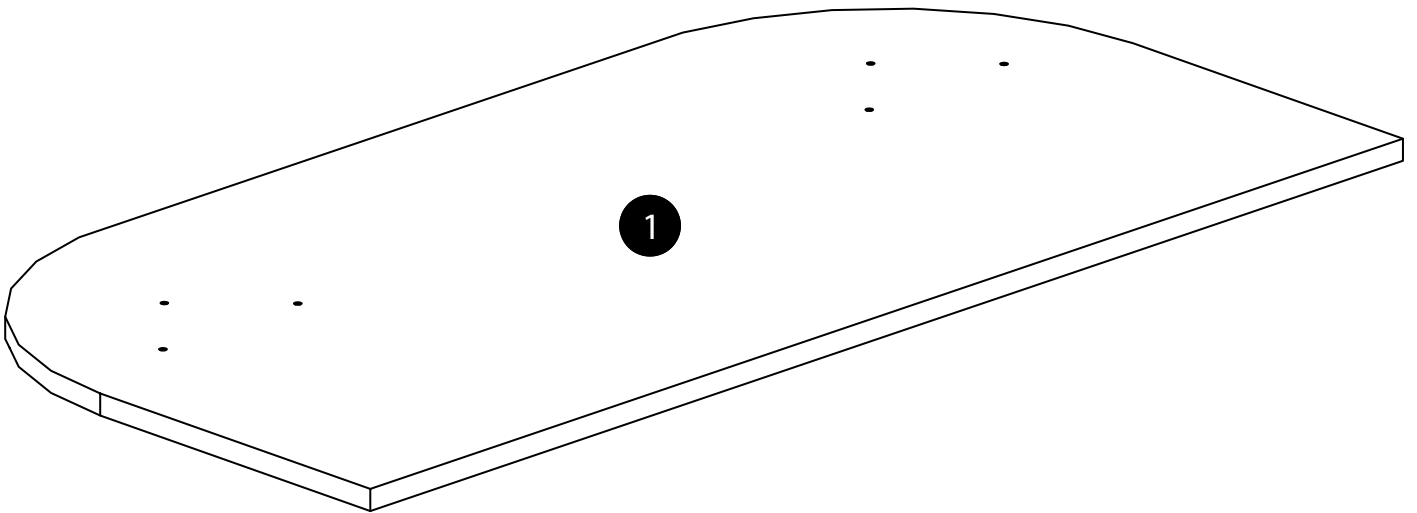
# OPTIMAL 17

<p>NS1 x 2</p> 	<p>WT34 x 10 5x20</p> 	<p>PM1 x 3</p> 
<p>WT2 x 8 3,5x16</p> 		

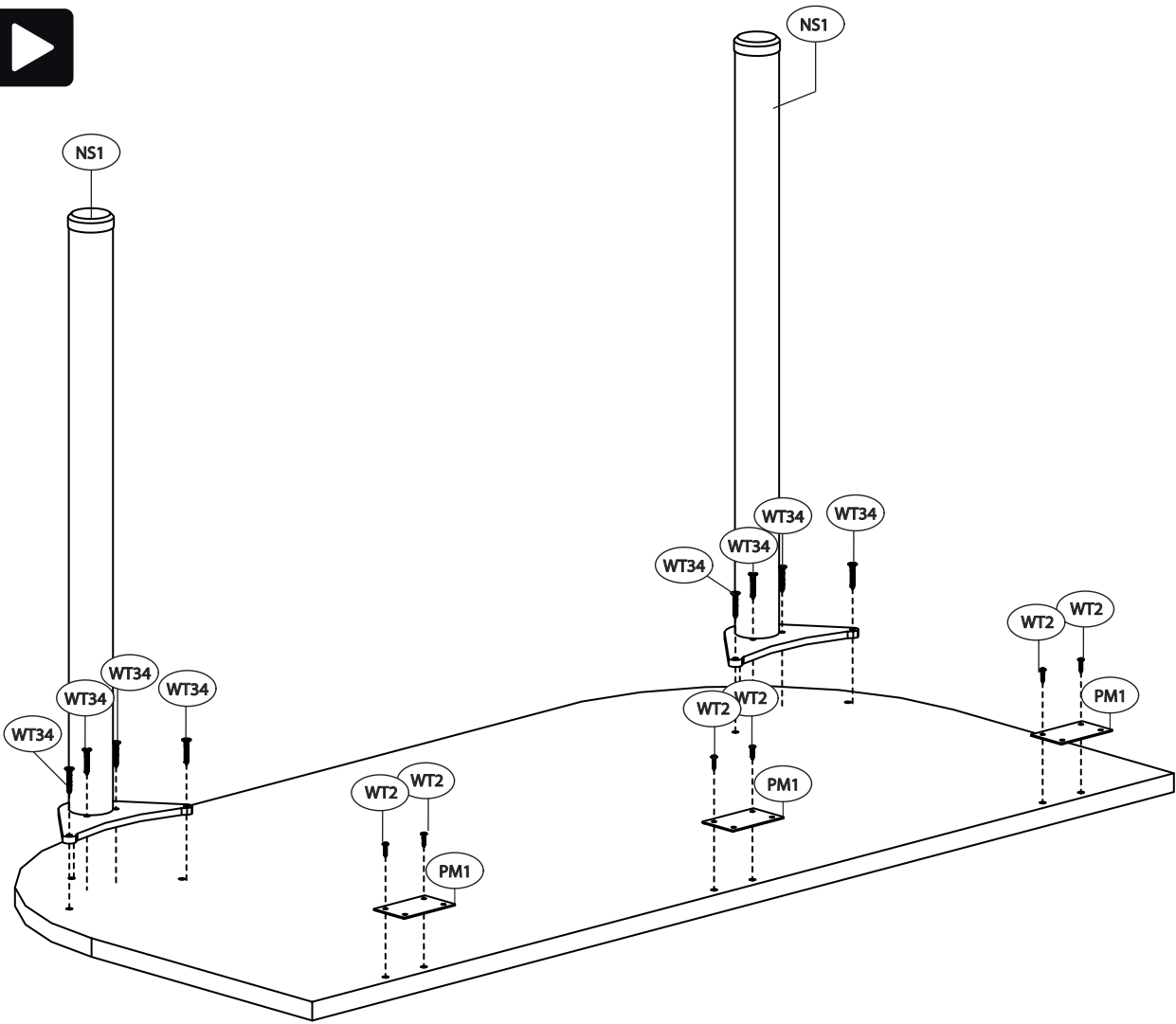


# OPTIMAL 17

			
<b>1</b>	1348	674	1



**A ▶**



**B ▶**

